

Dell™ PowerEdge™ 2950 Systems

# Getting Started With Your System

系统使用入门  
はじめに  
시스템시작하기

Model EMS01

[www.dell.com](http://www.dell.com) | [support.dell.com](http://support.dell.com)



Dell™ PowerEdge™ 2950 Systems

# Getting Started With Your System

# Notes, Notices, and Cautions



**NOTE:** A NOTE indicates important information that helps you make better use of your computer.



**NOTICE:** A NOTICE indicates either potential damage to hardware or loss of data and tells you how to avoid the problem.



**CAUTION:** A CAUTION indicates a potential for property damage, personal injury, or death.

---

**Information in this document is subject to change without notice.**

**© 2005 Dell Inc. All rights reserved.**

Reproduction in any manner whatsoever without the written permission of Dell Inc. is strictly forbidden.

Trademarks used in this text: *Dell* and the *DELL* logo are trademarks of Dell Inc.; *Intel* and *Xeon* are registered trademarks of Intel Corporation; *Microsoft* and *Windows* are registered trademarks and *Windows Server* is a trademark of Microsoft Corporation; *Novell* and *NetWare* are registered trademarks of Novell, Inc.; *Red Hat* is a registered trademark of Red Hat, Inc.; *SUSE* is a registered trademark of SUSE LINUX Products GmbH.

Other trademarks and trade names may be used in this document to refer to either the entities claiming the marks and names or their products. Dell Inc. disclaims any proprietary interest in trademarks and trade names other than its own.

Model EMS01

November 2005

P/N DD247

Rev. A00

## System Features

The major hardware and software features of your system include:

- One or two Dual-Core Intel® Xeon® Processors 5000 Sequence.
- Support for symmetric multiprocessing (SMP), which is available on systems with two Intel Xeon processors. SMP greatly improves overall system performance by dividing processor operations between independent processors. To take advantage of this feature, you must use an operating system that supports multiprocessing.



**NOTE:** If you decide to upgrade your system by installing a second processor, you must order the processor upgrade kits from Dell. Not all versions of the Intel Xeon processor will work properly as additional processors. The upgrade kit from Dell contains the correct version of the processor, heat sink, and fan as well as the instructions for performing the upgrade.

- A minimum of 512 MB of 533 or 667 (when available) MHz, Fully Buffered DIMMs (FBD), upgradable to a maximum of 32 GB by installing combinations of 256-MB, 512-MB, 1-GB, 2-GB, or 4-GB memory modules in the eight memory module sockets on the system board.

The system also features redundant memory, which provides memory sparing or memory mirroring. Either feature is available if eight identical memory modules are installed.

- Support for up to six 3.5-inch, internal hot-pluggable Serial Attached SCSI (SAS) or SATA hard drives without optional media bay, or up to four 3.5-inch internal hot-pluggable SAS or SATA hard drives with optional media bay, or eight 2.5-inch internal hot-pluggable SAS hard drives.
- The optional media bay (available with the 3.5-inch x4 and 2.5-inch x8 backplane configurations) provides support for an optional half-height tape backup unit (TBU) and an optional single, 1.44-MB, 3.5-inch diskette drive.
- An optional slim-line IDE CD, DVD, or combination CD-RW/DVD drive.



**NOTE:** DVD devices are data only.

- An intrusion switch that signals the appropriate systems management software if the top cover is opened.
- Up to two hot-pluggable, 750-W power supplies in an optional 1 + 1 redundant configuration.
- Four hot-pluggable system cooling fans.

The system board includes the following features:

- One of the following left riser card options:
  - A left riser card that has one full-length PCIe x8 lane slot and one full-length PCIe x4 lane slot.
- OR
- A left riser card that has two full-length PCI-X 3.3-V, 64-bit, 133-MHz slots on separate PCI-X buses (capable of throttling back to support legacy PCI add-in cards).
- A center riser card that has one half-length PCIe x8 lane slot.
- Dedicated slot for an integrated SAS host bus adapter or an optional RAID controller card with 256 MB of cache memory and a RAID battery. The internal channel supports up to eight 2.5-inch SAS or six 3.5-inch SATA hard drives.



**NOTE:** System boot is not supported from an external device attached to a SAS or SCSI adapter, including SAS 5/E, PERC 5/E, or PERC 4e/DC. See [support.dell.com](http://support.dell.com) for the latest support information about booting from external devices.

- Two integrated Gigabit Ethernet NICs, capable of supporting 10-Mbps, 100-Mbps, and 1000-Mbps data rates.
- Four USB 2.0-compliant connectors (two on the front and two on the back) capable of supporting a diskette drive, a CD-ROM drive, a keyboard, a mouse, or a USB flash drive.
- Optional remote access controller (RAC) for remote systems management.
- An integrated VGA-compatible video subsystem with an ATI ES1000, 33-MHz PCI video controller. This video subsystem contains 16 MB of DDR SDRAM video memory (nonupgradable). Maximum resolution is 1600 x 1200 with 64 K colors; true-color graphics are supported in the following resolutions: 640 x 480, 800 x 600, 1024 x 768, 1152 x 864, and 1280 x 1024. When the optional RAC is installed, the video resolution is 1280 X 1024.
- Systems management circuitry that monitors operation of the system fans as well as critical system voltages and temperatures. The systems management circuitry works in conjunction with the systems management software.
- Standard baseboard management controller with serial access.
- Back-panel connectors include one serial, one video, two USB, and two NIC connectors.
- Front-panel connectors include a video and two USB connectors.
- Front-panel 1x5 LCD for system ID and error messaging.
- System ID button on the front and back panels.

For more information about specific features, see "Technical Specifications" on page 10.

## Supported Operating Systems

- Microsoft® Windows Server™ 2003 Standard, Enterprise, and Web Editions
- Microsoft Windows Server 2003 Standard and Enterprise x64 Editions
- Red Hat® Enterprise Linux AS and ES for Intel x86 (versions 3 and 4)
- Red Hat Enterprise Linux AS and ES for Intel Extended Memory 64 Technology (Intel EM64T) (version 4)
- SUSE® Linux Enterprise Server 9 for Intel EM64T
- Novell® NetWare® 6.5 (when available) (not available factory-installed)

## Other Information You May Need



**CAUTION: The *Product Information Guide* provides important safety and regulatory information. Warranty information may be included within this document or as a separate document.**

- The *Rack Installation Instructions* or *Rack Installation Guide* included with your rack solution describes how to install your system into a rack.
- The *Hardware Owner's Manual* provides information about system features and describes how to troubleshoot the system and install or replace system components. This document may be found on the CDs that came with your system, or on [support.dell.com](http://support.dell.com).
- CDs included with your system provide documentation and tools for configuring and managing your system.
- Release notes or readme files may be included to provide last-minute updates to the system or documentation or advanced technical reference material intended for experienced users or technicians.

## Obtaining Technical Assistance

If you do not understand a procedure in this guide or if the system does not perform as expected, see your *Hardware Owner's Manual*.

Dell™ Enterprise Training and Certification is available; see [www.dell.com/training](http://www.dell.com/training) for more information. This service may not be offered in all locations.

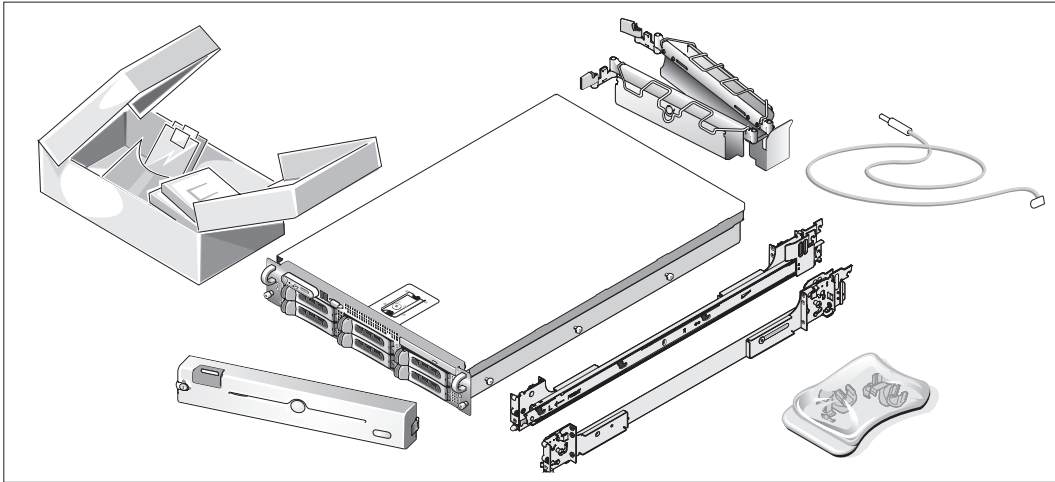
## Installation and Configuration



**CAUTION: Before performing the following procedure, read and follow the safety instructions and important regulatory information in your *Product Information Guide*.**

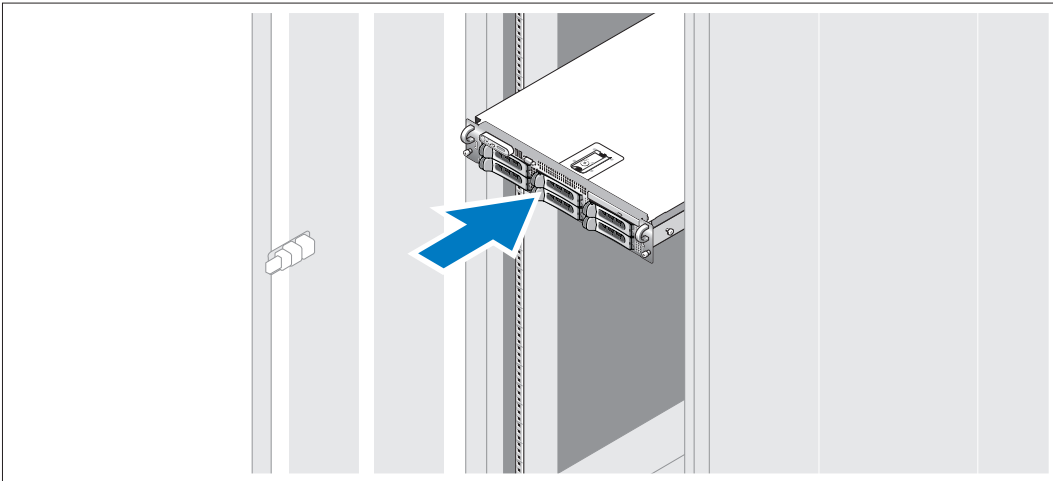
This section describes the steps to set up your system for the first time.

## Unpacking the System



- 1 Unpack your system and identify each item.  
Keep all shipping materials in case you need them later.

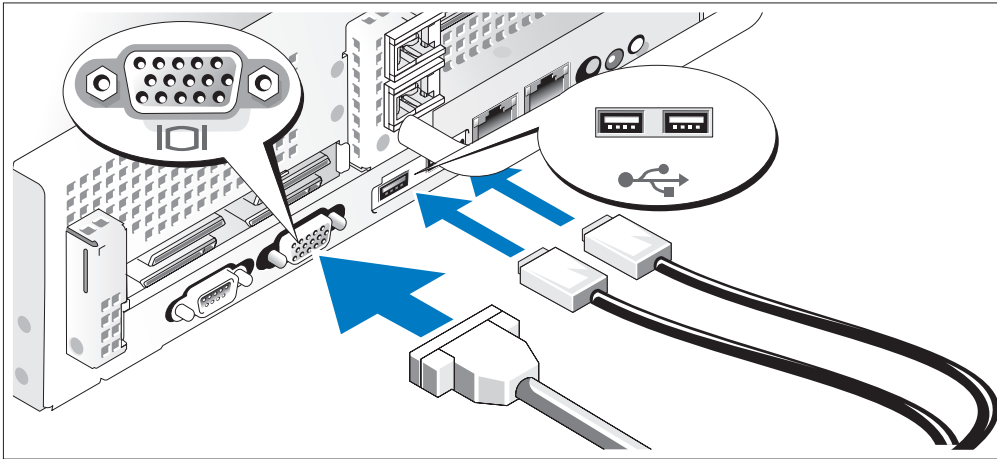
## Installing the Rails and System in a Rack



- 2 Once you have read the "Safety Instructions" located in the rack installation documentation for your system, install the rails and the system in the rack.  
See your rack installation documentation for instructions on installing your system in a rack.



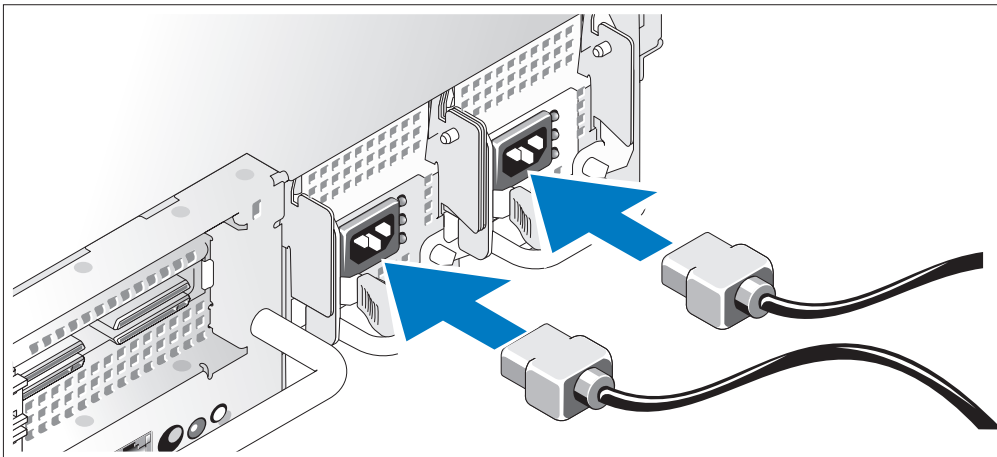
## Connecting the Keyboard, Mouse, and Monitor



- 3 Connect the keyboard, mouse, and monitor (optional).

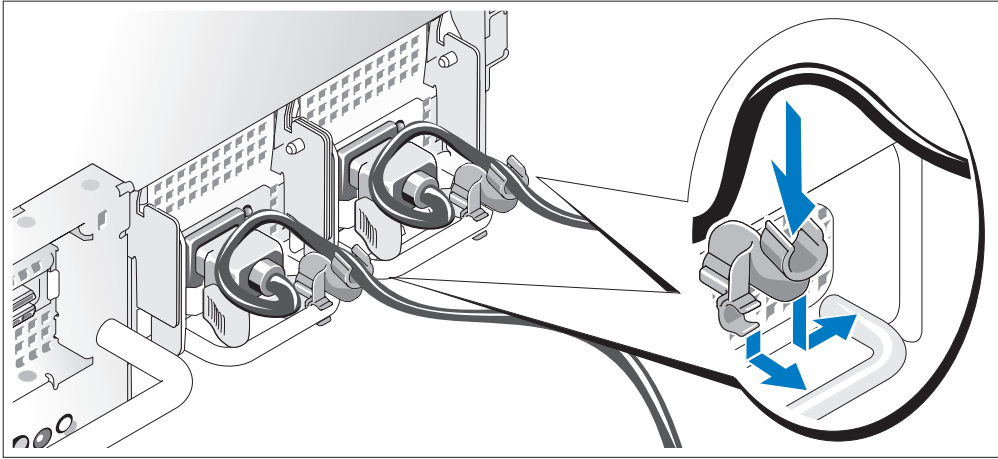
The connectors on the back of your system have icons indicating which cable to plug into each connector. Be sure to tighten the screws (if any) on the monitor's cable connector.

## Connecting the Power



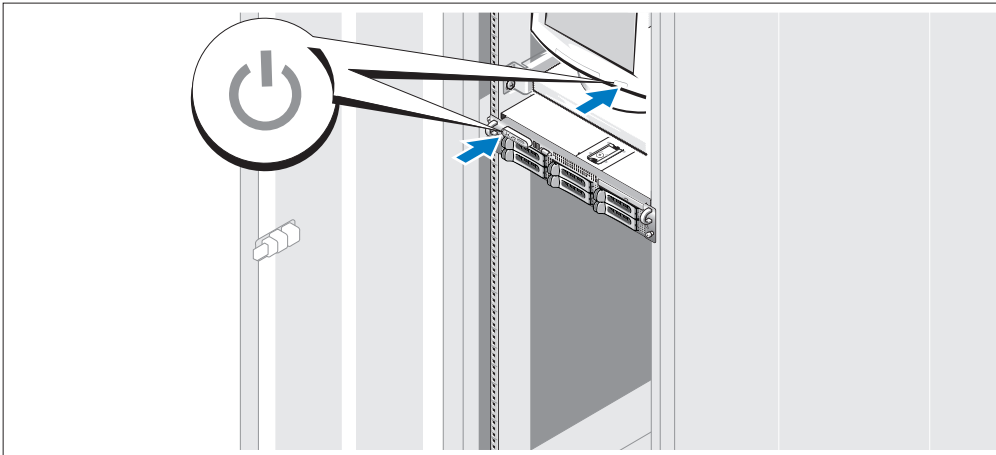
- 4 Connect the monitor (optional) and system power, and connect the system's power cable(s) to the system. If your system has an expansion card with a video output connector, *do not* connect the monitor to system's integrated video connector. Instead, connect the monitor cable to the connector on the expansion card.
- 5 Plug the other end of the cable into a grounded electrical outlet or a separate power source such as an uninterruptible power supply (UPS) or a power distribution unit (PDU).

## Installing the Power Cord Retention Bracket



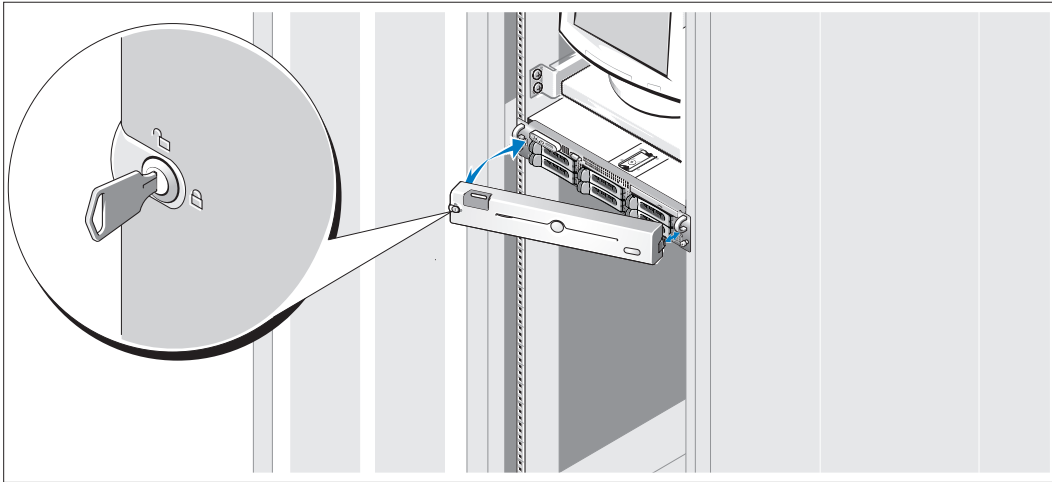
- 6** Attach the power cord retention bracket on the right bend of the power supply handle. Bend the system power cable into a loop as shown in the illustration and attach to the bracket's cable clasp. Repeat the procedure for the second power supply.
- 7** Plug the other end of the power cables into a grounded electrical outlet or a separate power source such as an uninterruptible power supply (UPS) or a power distribution unit (PDU).

## Turning on the System



- 8** Turn on the system and monitor (optional).  
Press the power button on the system and the monitor. The power indicators should light. Adjust the monitor's controls until the displayed image is satisfactory.

## Installing the Bezel



- 9 Install the bezel (optional).

## Complete the Operating System Setup

If you purchased a preinstalled operating system, see the operating system documentation that ships with your system. To install an operating system for the first time, see the *Quick Installation Guide*. Be sure the operating system is installed before installing hardware or software not purchased with the system.

# Technical Specifications

---

<b>Processor</b>	
Processor type	One or two Dual-Core Intel Xeon Processors 5000 Sequence.

---

<b>Expansion Bus</b>	
Bus type	PCI-X, PCIe
<b>Expansion slots</b>	
Center riser: PCIe	one half-height x8 lane 3.3-V (slot 1)
Left riser PCI-X option:	two full-height, full-length 3.3-V, 64-bit, 133-MHz (slots 2 and 3)
	OR
PCIe option:	one full-height x8 lane 3.3-V (slot 2) and one full-height x4 lane 3.3-V (slot 3)

---

<b>Memory</b>	
Architecture	533 or 667 (when available) MHz Fully Buffered DIMMs (FBD)
Memory module sockets	eight 240-pin
Memory module capacities	256 MB, 512 MB, 1 GB, 2 GB, or 4 GB
Minimum RAM	512 MB (two 256-MB modules)
Maximum RAM	32 GB

---

<b>Drives</b>	
Hard drives	up to six 3.5-inch, internal hot-pluggable SAS or SATA hard drives without optional media bay, OR up to four 3.5-inch internal hot-pluggable SAS or SATA hard drives with optional media bay OR eight 2.5-inch internal hot-pluggable SAS hard drives
Diskette drive	one optional 3.5-inch, 1.44-MB external optional USB 3.5-inch, 1.44-MB

---

**Drives (continued)**

---

Optical drive	one optional slimline IDE CD, DVD, or combination CD-RW/DVD <b>NOTE: DVD devices are data only.</b> external optional USB CD
Tape drive	one optional internal half height tape backup device
Flash drive	external optional USB

---

**Connectors**

---

**Back**

NIC	Two RJ-45 (for integrated 1-GB NICs)
Serial	9-pin, DTE, 16550-compatible
USB	Two 4-pin, USB 2.0-compliant
Video	15-pin VGA

**Front**

Video	15-pin VGA
USB	Two 4-pin, USB 2.0-compliant

---

**Video**

---

Video type	ATI ES1000 video controller; VGA connectors
Video memory	16 MB of DDR SDRAM

---

**Power**

---

**AC power supply (per power supply)**

Wattage	750 W
Voltage	85–264 VAC, autoranging, 47–63 Hz
Heat dissipation	2697 BTU/hr maximum
Maximum inrush current	Under typical line conditions and over the entire system ambient operating range, the inrush current may reach 55 A per power supply for 10 ms or less.

**Batteries**

System battery	CR 2032 3.0-V lithium ion coin cell
RAID battery (optional)	4.1-V lithium ion

---

**Physical**

---

**Rack**

Height	8.656 cm (3.40 in)
Width	44.7 cm (17.6 in)
Depth	75.68 cm (29.79 in)
Weight (maximum configuration)	26.76 kg (59 lb)

---

**Environmental**

---

**NOTE:** For additional information about environmental measurements for specific system configurations, see [www.dell.com/environmental\\_datasheets](http://www.dell.com/environmental_datasheets).

**Temperature**

Operating	10° to 35°C (50° to 95°F) with a maximum temperature gradation of 10°C per hour
Storage	-40° to 65°C (-40° to 149°F) with a maximum temperature gradation of 20°C per hour

**Relative humidity**

Operating	20% to 80% (noncondensing) with a maximum humidity gradation of 10% per hour
Storage	5% to 95% (noncondensing) with a maximum humidity gradation of 10% per hour

**Maximum vibration**

Operating	0.25 G at 3–200 Hz for 15 min
Storage	0.5 G at 3–200 Hz for 15 min

**Maximum shock**

Operating	One shock pulse in the positive z axis (one pulse on each side of the system) of 41 G for up to 2 ms
Storage	Six consecutively executed shock pulses in the positive and negative x, y, and z axes (one pulse on each side of the system) of 71 G for up to 2 ms

**Altitude**

Operating	-16 to 3048 m (-50 to 10,000 ft)
Storage	-16 to 10,600 m (-50 to 35,000 ft)

Dell™ PowerEdge™ 2950 系统

# 系统使用入门

## 注、注意和警告



**注：**注表示可以帮助您更好地使用计算机的重要信息。



**注意：**注意表示可能会损坏硬件或导致数据丢失，并告诉您如何避免此类问题。



**警告：**警告表示可能会导致财产损失、人身伤害甚至死亡。

---

本说明文件中的信息如有更改，恕不另行通知。

© 2005 Dell Inc. 版权所有，翻印必究。

未经 Dell Inc. 书面许可，严禁以任何形式进行复制。

本文中使用的商标：Dell 和 DELL 徽标是 Dell Inc. 的商标；Intel 和 Xeon 是 Intel Corporation 的注册商标；Microsoft 和 Windows 是 Microsoft Corporation 的注册商标，Windows Server 是 Microsoft Corporation 的商标；Novell 和 NetWare 是 Novell, Inc. 的注册商标；Red Hat 是 Red Hat, Inc. 的注册商标；SUSE 是 SUSE LINUX Products GmbH 的注册商标。

本文件中提及的其它商标和产品名称是指拥有相应商标和名称的公司或其制造的产品。Dell Inc. 对本公司的商标和产品名称之外的其它商标和产品名称不拥有任何专有权。

型号 EMS01

2005 年 11 月

P/N DD247


修订版 A00



## 系统配置

系统的主要硬件和软件配置包括：


- 一个或两个双核心 Intel® Xeon® 处理器 5000 序列。
- 支持对称多处理 (SMP)，配备两个 Intel Xeon 处理器的系统具有此功能。SMP 通过在独立的处理器之间分配处理器操作，从而极大地改善了整体的系统性能。要使用此功能，必须使用支持多处理的操作系统。

 **注：**如果您准备安装第二个处理器来升级系统，则必须向 Dell 订购处理器升级套件。并非所有版本的 Intel Xeon 处理器均可作为附加处理器正常工作。Dell 的升级套件包含正确版本的处理器、散热器和风扇，以及执行升级的说明。

- 至少 512 MB 的 533 或 667（可用时）MHz 全缓冲 DIMM (FBD)，通过在系统板上的八个内存模块插槽中安装 256 MB、512 MB、1 GB、2 GB 或 4 GB 内存模块组合，最大可升级至 32 GB。

系统还配置了冗余内存，可提供内存冗余或内存镜像功能。如果安装了八个完全相同的内存模块，则同时提供内存冗余或内存镜像功能。

- 支持多达六个 3.5 英寸、内部热插拔、串行连接的 SCSI (SAS) 或 SATA 且未配备可选介质托架的硬盘驱动器，或支持多达四个 3.5 英寸、内部热插拔 SAS 或 SATA 且配备了可选介质托架的硬盘驱动器，或八个 2.5 英寸内部热插拔 SAS 硬盘驱动器。
- 可选介质托盘（可提供 3.5 英寸 x4 和 2.5 英寸 x8 的背板配置）支持一个可选半高磁带备份装置 (TBU) 和一个可选 1.44 MB、3.5 英寸软盘驱动器。
- 一个可选的细长型 IDE CD、DVD 或组合 CD-RW/DVD 驱动器。


 **注：**DVD 设备仅用于数据。

- 防盗开关，在顶盖被打开会向相应的系统管理软件发送信号。
- 多达两个 750 W 热插拔电源设备（可选 1 + 1 冗余配置）。
- 四个热插拔系统冷却风扇。

系统板包含以下配置：

- 以下左提升卡选件之一：
  - 具有一个全长 PCIe x8 信道插槽和一个全长 PCIe x4 信道插槽的左提升卡。
  - 或
  - 在单独的 PCI-X 总线上具有两个全长 PCI-X 3.3 V、64 位、133 MHz 插槽的左提升卡（能够节流以支持传统的内插式 PCI 卡）。
- 具有一个半长 PCIe x8 信道插槽的中心提升卡。

- 专用插槽，用于安装集成的 SAS 主机总线适配器或配有 256 MB 高速缓存和 RAID 电池的可选 RAID 控制器卡。内部信道支持多达八个 2.5 英寸 SAS 硬盘驱动器或六个 3.5 英寸 SATA 硬盘驱动器。

 **注：**不支持从连接到 SAS 或 SCSI 适配器的外部设备引导系统，包括 SAS 5/E、PERC 5/E 或 PERC 4e/DC。有关支持从外部设备引导的最新信息，请参阅 [support.dell.com](http://support.dell.com)。


- 两个集成的千兆位以太网 NIC，可支持 10 Mbps、100 Mbps 和 1000 Mbps 数据速率。
- 四个 USB 2.0 兼容连接器（两个在正面，两个在背面），可以支持软盘驱动器、CD-ROM 驱动器、键盘、鼠标或 USB 快擦写驱动器。
- 可选的远程访问控制器 (RAC)，用于远程系统管理。
- VGA 兼容集成视频子系统，带有 ATI ES1000、33 MHz PCI 视频控制器。此视频子系统包含 16 MB 的 DDR SDRAM 视频内存（不可升级）。使用 64 K 色时最大分辨率为 1600 x 1200；以下分辨率支持真彩色图形：640 x 480、800 x 600、1024 x 768、1152 x 864 和 1280 x 1024。如果安装了可选的 RAC，则视频分辨率为 1280 x 1024。
- 系统管理电路，可监测系统风扇的运行以及系统临界电压和温度。系统管理电路需要与系统管理软件配合工作。
- 标准底板管理控制器，支持串行访问。
- 背面板连接器包括一个串行连接器、一个视频连接器、两个 USB 连接器和两个 NIC 连接器。
- 前面板连接器包括一个视频连接器和两个 USB 连接器。
- 前面板 1x5 LCD 显示屏，用于显示系统 ID 和错误信息。
- 系统 ID 按钮，位于前面板和背面板上。

有关特定配置的详细信息，请参阅第 22 页的“技术规格”。

## 支持的操作系统

- Microsoft® Windows Server™ 2003 标准版、企业版和 Web 版
- Microsoft Windows Server 2003 标准版和企业版（64 位）
- 用于 Intel x86 的 Red Hat® Enterprise Linux AS 和 ES（第 3 版和第 4 版）
- 用于 Intel 64 位扩展内存技术 (Intel EM64T) 的 Red Hat Enterprise Linux AS 和 ES（第 4 版）
- 用于 Intel EM64T 的 SUSE® Linux Enterprise Server 9
- Novell® NetWare® 6.5（可用时）（非工厂安装）

## 您可能需要的其它信息

 **警告：**《产品信息指南》，提供了重要的安全信息和管制信息。保修信息可能包括在该说明文件中，也可能作为单独的说明文件提供。

- 随机架解决方案附带的《机架安装说明》或《机架安装指南》，介绍了如何在机架中安装系统。
- 《硬件用户手册》提供有关系统部件的信息，并介绍如何排除系统故障以及如何安装或更换系统组件。此说明文件可在随系统提供的 CD 中找到，或通过 [support.dell.com](http://support.dell.com) 获得。
- 随系统附带的 CD 提供了用于配置和管理系统的说明文件和工具。
- 系统可能附带发布注释或自述文件，以提供系统或说明文件的最新更新内容，或者为有经验的用户或技术人员提供高级技术参考资料。

## 获得技术帮助

如果您对本指南中的步骤有疑问，或系统运行无法达到预期效果，请参阅《硬件用户手册》。

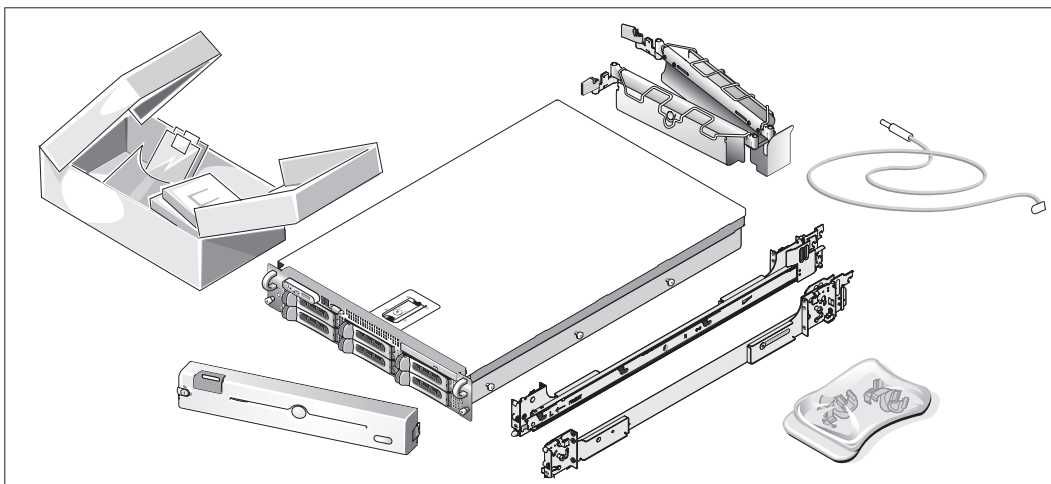
Della 可以提供企业培训与认证；有关详情，请访问 [www.dell.com/training](http://www.dell.com/training)。并非在所有国家和地区均可提供此服务。

## 安装和配置

 **警告：**在执行以下过程之前，请阅读并遵循《产品信息指南》中的安全说明和重要的管制信息。

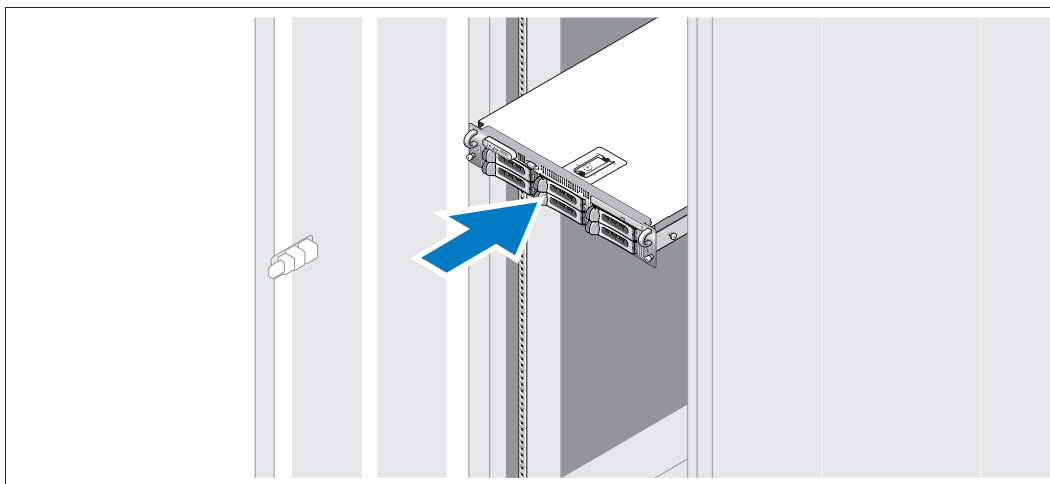
本节介绍初次安装系统时的步骤。

## 打开系统包装



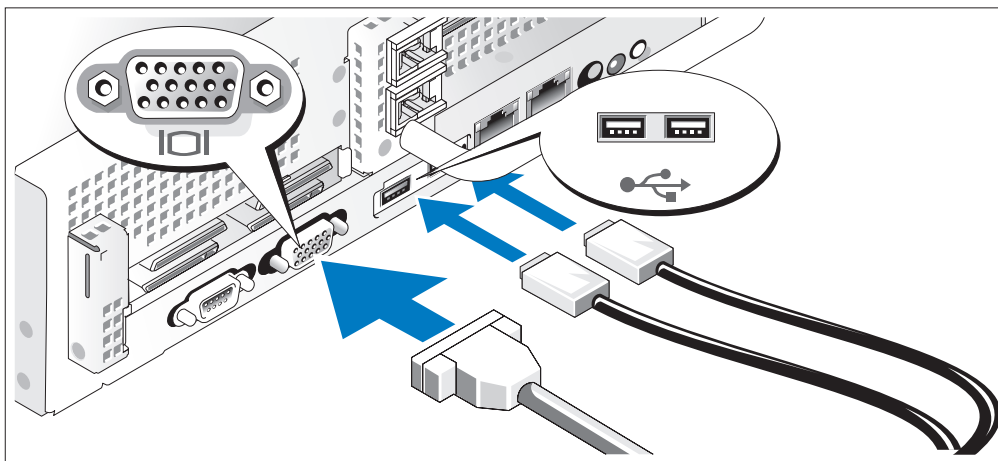
- 1 打开系统包装并识别每项物品。  
妥善保管所有运输包装材料，以备将来使用。

## 在机架中安装滑轨和系统



- 2 在仔细阅读了系统的机架安装说明文件中的“安全说明”之后，在机架中安装滑轨和系统。  
有关在机架中安装系统的说明，请参阅机架安装说明文件。

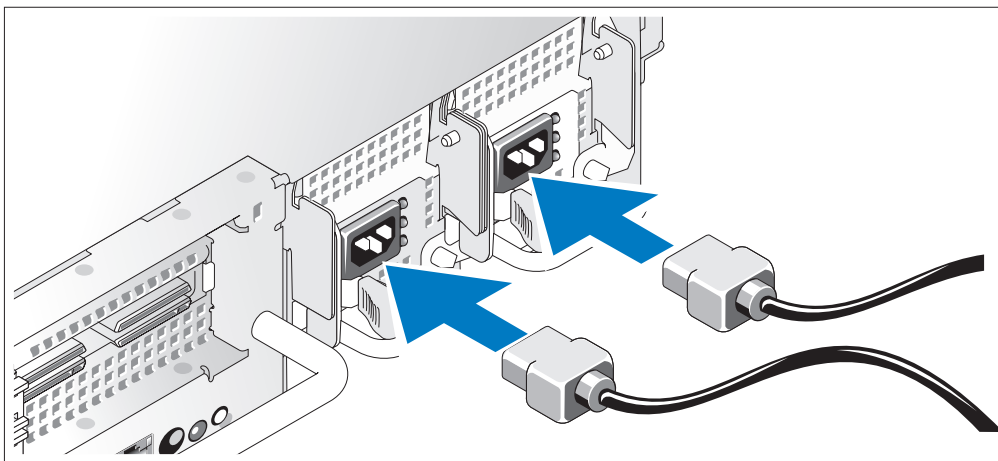
## 连接键盘、鼠标和显示器



### 3 连接键盘、鼠标和显示器（可选）。

系统背面的连接器附有图标，这些图标指示了要插入每个连接器的电缆。确保拧紧显示器的电缆连接器上的螺钉（如果有）。

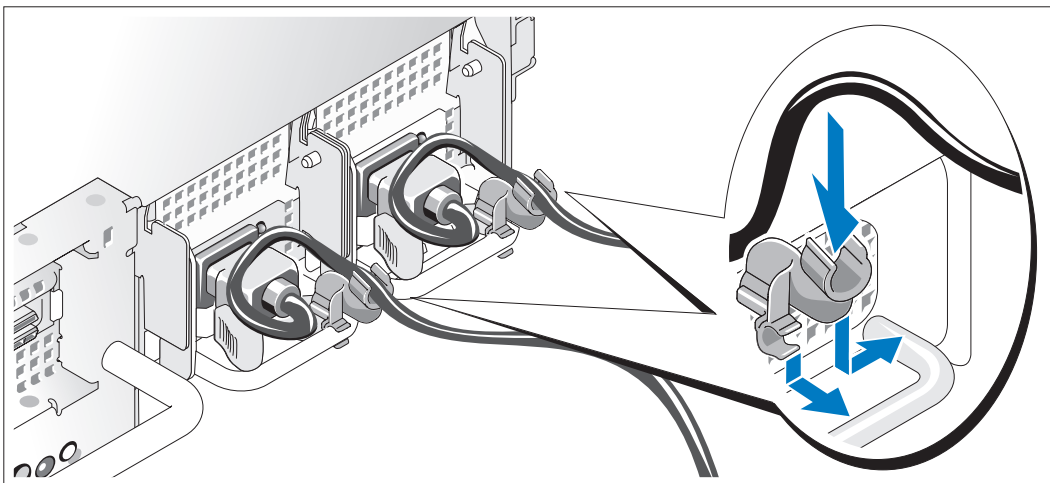
## 连接电源



### 4 连接显示器（可选）和系统电源，并将系统的电源电缆连接至系统。如果系统具有配备视频输出连接器的扩充卡，请勿将显示器连接至系统的集成视频连接器。而是将显示器电缆连接至扩充卡上的连接器。

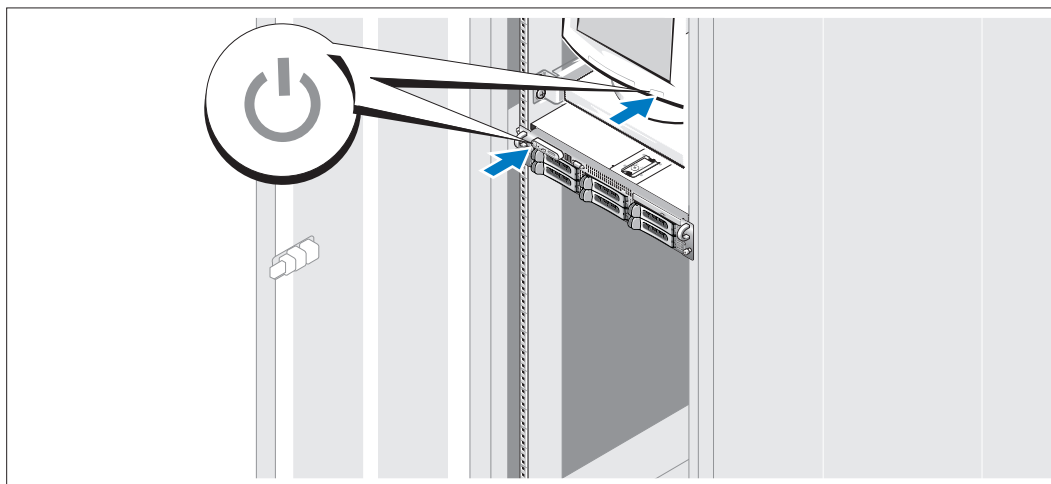
### 5 将电缆的另一端插入接地的电源插座或单独的电源，如不间断电源设备 (UPS) 或配电装置 (PDU)。

## 安装电源线固定支架



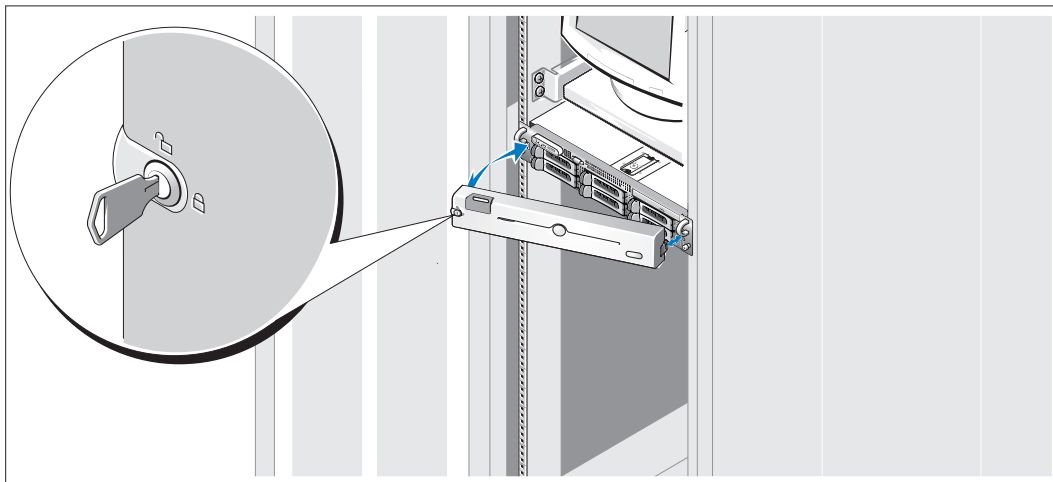
- 6 在电源设备手柄的右侧拐弯处上方连接电源线固定支架。如图例所示，将系统电源电缆弯曲成环状，并连接至支架的电缆挂钩。对第二个电源设备重复此过程。
- 7 将电源电缆的另一端插入接地的电源插座或单独的电源，如不间断电源设备 (UPS) 或配电装置 (PDU)。

## 开启系统



- 8 打开系统和显示器（可选）。  
按下系统和显示器的电源按钮。电源指示灯将会亮起。调节显示器的控制按钮直至获得满意的显示图像。

## 安装挡板



9 安装挡板（可选）。

## 完成操作系统安装

如果购买了预安装的操作系统，请参阅随系统提供的操作系统说明文件。如果是初次安装操作系统，请参阅《快速安装指南》。在安装非随系统购买的硬件或软件之前，请确保安装了操作系统。

# 技术规格

---

## 处理器

---

处理器类型 一个或两个双核心 Intel Xeon 处理器 5000 序列。

---

## 扩充总线

---

总线类型 PCI-X、PCIe

### 扩充槽

中心提升卡：

PCIe

一个半高 x8 信道 3.3 V（插槽 1）

左提升卡

PCI-X 选件：

两个全高、全长、3.3 V、64 位、133 MHz（插槽 2 和 3）

或

PCIe 选件：

一个全高 x8 信道 3.3 V（插槽 2）和一个全高 x4 信道 3.3 V（插槽 3）

---

## 内存

---

体系结构 533 或 667（可用时）MHz 全缓冲 DIMM (FBD)

内存模块插槽 八个 240 针

内存模块容量 256 MB、512 MB、1 GB、2 GB 或 4 GB

最小 RAM 512 MB（两个 256 MB 模块）

最大 RAM 32 GB

---

## 驱动器

---

硬盘驱动器 支持多达六个 3.5 英寸、内部热插拔 SAS 或 SATA 硬盘驱动器（无可选介质托盘），

或

支持多达四个 3.5 英寸、内部热插拔 SAS 或 SATA 硬盘驱动器（配备可选介质托盘）

或

八个 2.5 英寸内部热插拔 SAS 硬盘驱动器

软盘驱动器

一个可选的 3.5 英寸 1.44 MB 软盘驱动器  
外部可选的 USB 3.5 英寸 1.44 MB 软盘驱动器



---

## 驱动器 (续)

---

光盘驱动器	一个可选的细长型 IDE CD、DVD 或组合 CD-RW/DVD <b>注：</b> DVD 设备仅用于数据。 外部可选的 USB CD
磁带驱动器	一个可选的内部半高磁带备份设备
快擦写驱动器	外部可选的 USB

---

## 连接器

---

### 背面

NIC	两个 RJ-45 (用于集成的 1 GB NIC)
串行	9 针、DTE、16550 兼容连接器
USB	两个 4 针、USB 2.0 兼容
视频	15 针 VGA 连接器

### 正面

视频	15 针 VGA 连接器
USB	两个 4 针、USB 2.0 兼容

---

## 视频

---

视频类型	ATI ES1000 视频控制器； VGA 连接器
视频内存	16 MB DDR SDRAM

---

## 电源

---

### 交流电源设备 (每个电源设备)

功率	750 W
电压	85 - 264 VAC、范围自动调节、47 - 63 Hz
散热	最大 2697 BTU/ 小时
最大涌入电流	在典型的线路条件下和整个系统运行范围内， 每个电源设备在 10 毫秒或更短时间内的涌入电 流可达 55 A。

### 电池

系统电池	CR 2032 3.0 V 锂离子币形电池
RAID 电池 (可选)	4.1 V 锂离子电池

---

## 物理规格

---

### 机架

高度	8.656 厘米 (3.40 英寸)
宽度	44.7 厘米 (17.6 英寸)
厚度	75.68 厘米 (29.79 英寸)
重量 (最大配置)	26.76 千克 (59 磅)

---

## 环境参数

---

**注：**有关特定系统配置的环境参数规格的其他信息，请参阅 [www.dell.com/environmental\\_datasheets](http://www.dell.com/environmental_datasheets)。

### 温度

运行时	10° 至 35°C (50° 至 95°F)，最大温度变化梯度为每小时 10°C
存放时	- 40° 至 65°C (- 40° 至 149°F)，最大温度变化梯度为每小时 20°C

### 相对湿度

运行时	20% 至 80% (非冷凝)，最大湿度变化梯度为每小时 10%
存放时	5% 至 95% (非冷凝)，最大湿度变化梯度为每小时 10%

### 最大振动

运行时	在 3 - 200 Hz、0.25 G 时，可持续 15 分钟
存放时	在 3 - 200 Hz、0.5 G 时，可持续 15 分钟

### 最大撞击




运行时	z 轴正方向上可承受一个 41 G 的撞击脉冲 (系统每一面承受一个脉冲)，最多可持续 2 毫秒
存放时	x、y 和 z 轴正负方向上可承受连续六个 71 G 的撞击脉冲 (系统每一面承受一个脉冲)，最多可持续 2 毫秒

### 海拔高度

运行时	-16 至 3048 米 (-50 至 10,000 英尺)
存放时	-16 至 10,600 米 (-50 至 35,000 英尺)

# Dell™ PowerEdge™ 2950 システム はじめに

## メモ、注意、警告

-  **メモ**：コンピュータを使いやすくするための重要な情報を説明しています。
-  **注意**：ハードウェアの損傷やデータの損失の可能性を示し、その危険を回避するための方法を説明しています。
-  **警告**：物的損害、けが、または死亡の原因となる可能性があることを示します。

---

**本書の内容は予告なく変更されることがあります。**

**© 2005 すべての著作権は Dell Inc. にあります。**

Dell Inc. の書面による許可のない複製は、いかなる形態においても厳重に禁じられています。

本書で使用されている商標について：*Dell* および *DELL* ロゴは Dell Inc. の商標です。*Intel* および *Xeon* は Intel Corporation の登録商標です。*Microsoft* および *Windows* は Microsoft Corporation の登録商標です。*Windows Server* は Microsoft Corporation の商標です。*Novell* および *NetWare* は Novell, Inc. の登録商標です。*Red Hat* は Red Hat, Inc. の登録商標です。*SUSE* は SUSE LINUX Products GmbH の登録商標です。

本書では、必要に応じて上記以外の商標や会社名が使用されている場合がありますが、これらの商標や会社名は、一切 Dell Inc. に所属するものではありません。

モデル EMS01

2005 年 11 月


P/N DD247

Rev. A00

## システムの機能

お使いのシステムの主要なハードウェアとソフトウェアの機能は、次のとおりです。

- デュアルコア Intel® Xeon® Processors 5000 Sequence が 1 つまたは 2 つ。
- 2 つの Intel Xeon プロセッサが搭載されているシステムの場合、SMP（対称型マルチプロセッシング）をサポート。SMP は、独立した複数のプロセッサに処理を分散することにより、システム全体の性能を飛躍的に高めます。この機能を活用するには、マルチプロセッシング対応のオペレーティングシステムを使用する必要があります。

 **メモ：** 2 つ目のプロセッサを取り付けてシステムをアップグレードする場合は、デルのプロセッサアップグレードキットを購入する必要があります。Intel Xeon プロセッサには、増設用には使用できないバージョンもあります。デルのアップグレードキットには、正しいバージョンのプロセッサと、アップグレードを実行するための手順書が入っています。

- 最小メモリ容量は 512 MB。533 または 667（利用可能な場合）MHz の完全バッファ型 DIMM（FBD）を使用します。システム基板の 8 つのメモリモジュールソケットに 256 MB、512 MB、1 GB、2 GB、または 4 GB のメモリモジュールを組み合わせて取り付けることで最大 32 GB にまで増設可能です。

このシステムは、メモリスペアリング機能やメモリミラーリングを可能にする冗長メモリ機能にも対応しています。同一仕様のメモリモジュールを 8 つ取り付けている場合は、どちらの機能も利用できます。

- 3.5 インチのホットプラグ対応内蔵シリアル接続 SCSI（SAS）もしくは SATA ハードドライブでオプションのメディアベイがないものは 6 台まで、または 3.5 インチのホットプラグ対応内蔵 SAS もしくは SATA ハードドライブでオプションのメディアベイが付いたものは 4 台まで、または 2.5 インチのホットプラグ対応内蔵 SAS ハードドライブは 8 台までサポート。
- オプションのメディアベイ（3.5 インチ x4 および 2.5 インチ x8 バックプレーンの構成で使用可能）は、オプションのハーフハイトテープバックアップユニット（TBU）1 台とオプションの 1.44 MB、3.5 インチのシングルディスクドライブ 1 台をサポートします。
- オプションの IDE CD、DVD、または CD-RW/DVD コンボドライブ 1 台。

 **メモ：** DVD デバイスはデータ専用。

- トップカバーが開けられた場合に、適切なシステム管理ソフトウェアに信号を送るインテリジェントスイッチ。
- ホットプラグ対応の 750 W 電源装置をオプションの 1 + 1 冗長構成で 2 台まで。
- ホットプラグ対応システム冷却ファンが 4 つ。

システム基板には、次の機能が搭載されています。

- 次のいずれかの左ライザーカードオプション：
  - フルレングスの PCIe x8 レーンスロット 1 つとフルレングスの PCIe x4 レーンスロット 1 つを備えた左ライザーカード。  
または
  - 別の PCI-X バス上にフルレングスの PCI-X 3.3 V、64 ビット、133 MHz のスロット 2 つを備えた左ライザーカード（減速してレガシーの PCI アドインカードをサポートすることが可能）。
- ハーフレングスの PCIe x8 レーンスロットを 1 つ備えたセンターライザーカード。
- 内蔵 SAS ホストバスアダプタ用、または 256 MB のキャッシュメモリと RAID バッテリーを備えたオプションの RAID コントローラカード用の専用スロット。内部チャンネルは、2.5 インチの SAS ハードドライブを 8 台まで、または 3.5 インチの SATA ハードドライブを 6 台までサポートします。



**メモ：** SAS 5/E、PERC 5/E、または PERC 4e/DC を含め、SAS または SCSI アダプタに接続された外付けデバイスからのシステム起動はサポートされていません。外付けデバイスからの起動に関する最新のサポート情報については、[support.dell.com](http://support.dell.com) を参照してください。


- 10 Mbps、100 Mbps、および 1000 Mbps のデータ転送速度をサポートする内蔵 Gigabit Ethernet NIC が 2 つ。
- ディスクドライブ、CD-ROM ドライブ、キーボード、マウス、または USB フラッシュドライブをサポートする USB 2.0 対応のコネクタ 4 つ（正面と背面に 2 つずつ）。
- リモートシステム管理用のオプションのリモートアクセスコントローラ（RAC）。
- ATI ES1000、33 MHz PCI ビデオコントローラ搭載の VGA 互換内蔵ビデオサブシステム。このビデオサブシステムには、16 MB の DDR SDRAM ビデオメモリが組み込まれています（アップグレード不可）。最大解像度 1600 x 1200（64,000 色）。True Color グラフィックを次の各解像度でサポートします。640 x 480、800 x 600、1024 x 768、1152 x 864、および 1280 x 1024。オプションの RAC を取り付けただけの場合のビデオ解像度は 1280 x 1024 になります。
- 重要なシステム電圧と温度に加え、システムファンの動作も監視するシステム管理回路。システム管理回路は、システム管理ソフトウェアと連動して機能します。
- シリアルアクセスを持つ標準ベースボード管理コントローラ。
- 背面パネルには、シリアル、ビデオ、2 つの USB、および 2 つの NIC の各コネクタが装備されています。
- 正面パネルには、ビデオコネクタと 2 つの USB コネクタを装備。
- システム ID およびエラーメッセージを表示する正面パネル 1x5 LCD。
- 正面パネルおよび背面パネルにはシステム ID ボタンを装備。

それぞれの機能の詳細については、「仕様」（34 ページ）を参照してください。

## サポートされているオペレーティングシステム

- Microsoft® Windows Server™ 2003 Standard Edition、Enterprise Edition、および Web Edition
- Microsoft Windows Server 2003 Standard Edition および Enterprise x64 Edition
- Red Hat® Enterprise Linux AS for Intel x86 および ES for Intel x86（バージョン 3 および 4）
- Red Hat Enterprise Linux AS for Intel Extended Memory 64 Technology および ES for Intel Extended Memory 64 Technology（Intel EM64T）（バージョン 4）
- SUSE® Linux Enterprise Server 9 for Intel EM64T
- Novell® NetWare® 6.5（利用可能な場合）（工場出荷時のインストールはできません）

## その他の情報

 **警告：**『製品情報ガイド』には、安全および認可機関に関する情報が記載されています。保証に関する情報については、『サービス&サポートのご案内』を参照してください。


- システムをラックに取り付ける方法については、ラックに付属の『ラック取り付けガイド』に説明があります。
- 『ハードウェアオーナーズマニュアル』では、システムの機能、トラブルシューティング方法、およびコンポーネントの取り付けや交換の方法について説明しています。このマニュアルはシステムに付属の CD に収録されているか、または **support.dell.com** で入手できます。
- システムに付属の CD には、システムの設定と管理に使用するマニュアルやツールが収録されています。
- リリースノートまたは readme ファイルには、システムまたはマニュアルの最新のアップデート情報や、専門知識をお持ちのユーザーや技術者のための高度な技術情報が記載されています。

## テクニカルサポートの利用法

このガイドの手順が理解できない場合やシステムが思ったとおりに動作しない場合は、『ハードウェアオーナーズマニュアル』を参照してください。

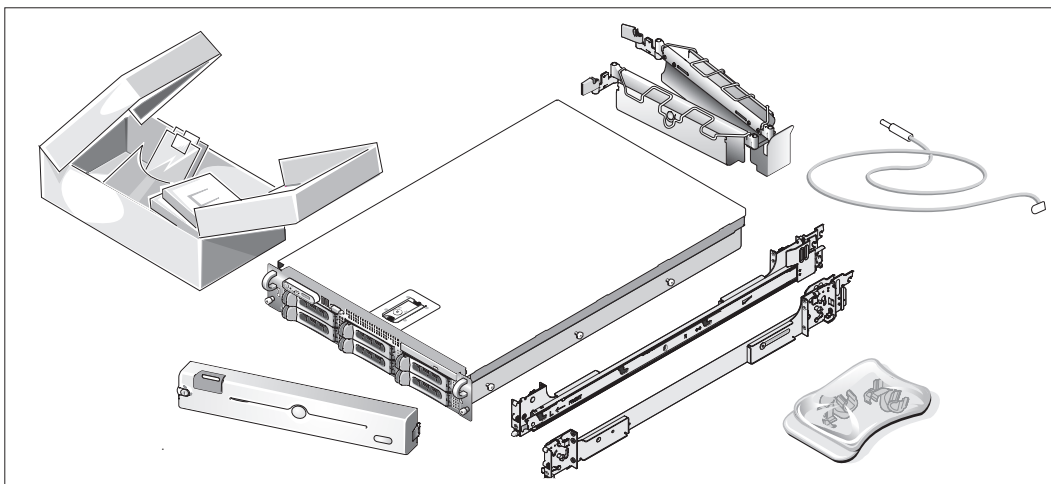
デルでは、企業向けのトレーニングと資格認証を実施しています。詳細については、**www.dell.com/training** を参照してください。このサービスは、ご利用いただけない地域があります。

## 取り付けと設定

 **警告：**次の手順を実行する前に、『製品情報ガイド』に記載されている安全にお使いいただくための注意事項と認可機関に関する情報をよく読み、指示に従ってください。

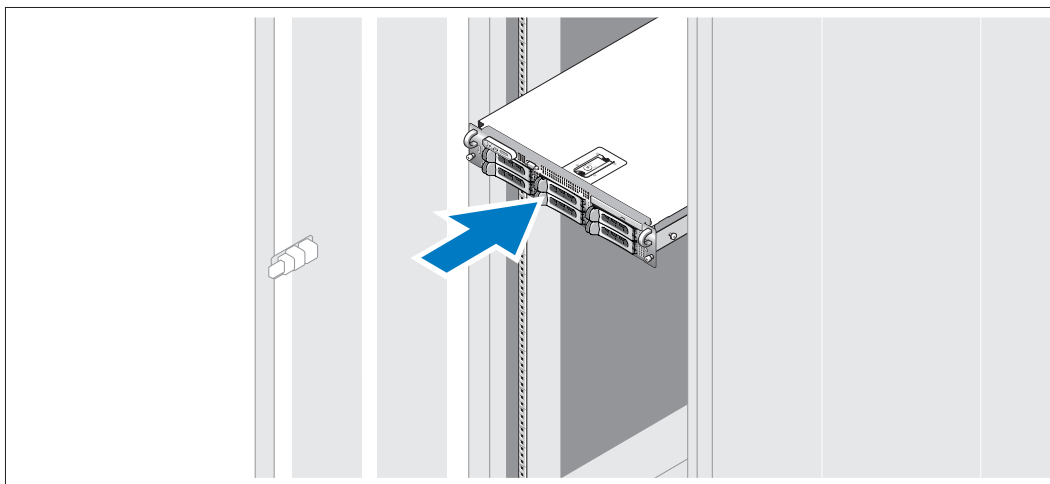
本項では、システムを初めてセットアップする際の手順について説明します。

## システムの開梱



- 1 システムを箱から取り出し、同梱品がすべて揃っていることを確認します。  
後で必要になる場合があるので、梱包材と箱は保管しておいてください。

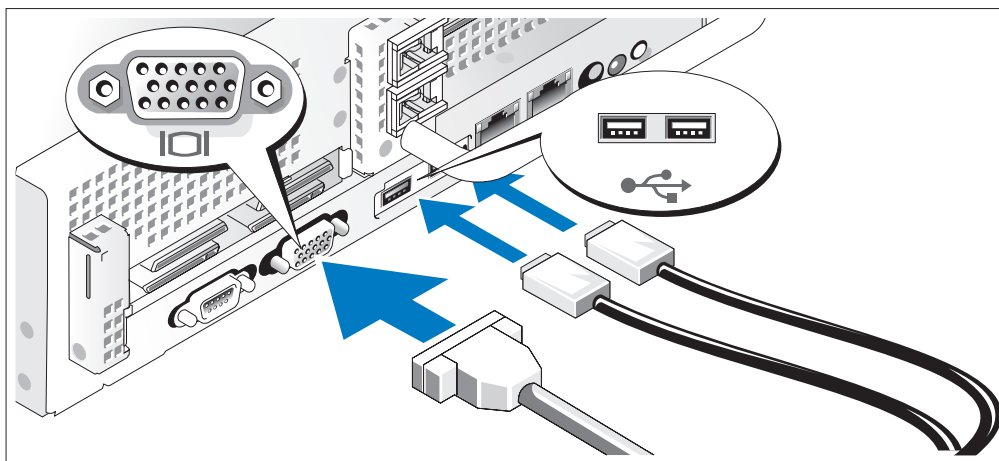
## ラックへのレールとシステムの取り付け



- 2 お使いのシステムのラック取り付けガイドに記載されている「安全にお使いいただくために」を読まれたら、ラックにレールとシステムを取り付けます。  
システムをラックに取り付ける手順については、ラック取り付けガイドを参照してください。



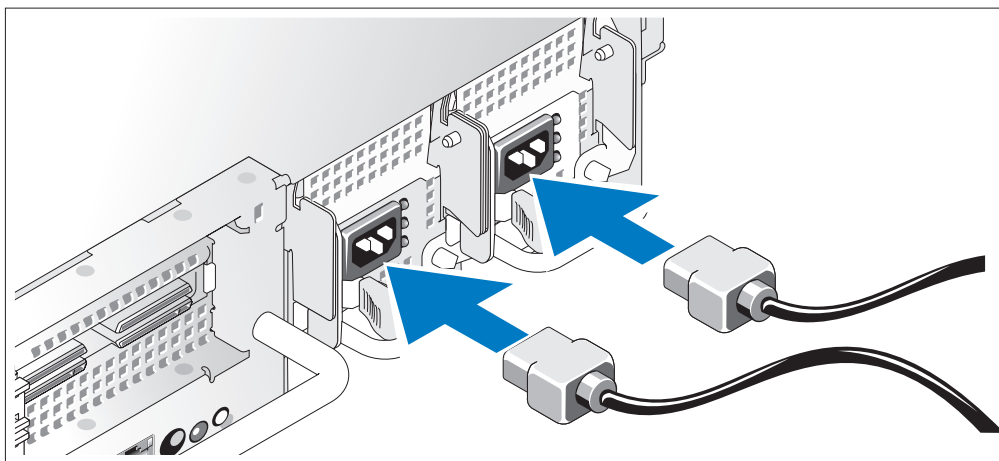
## キーボード、マウス、モニターの接続



- 3** キーボード、マウス、モニター（オプション）を接続します。

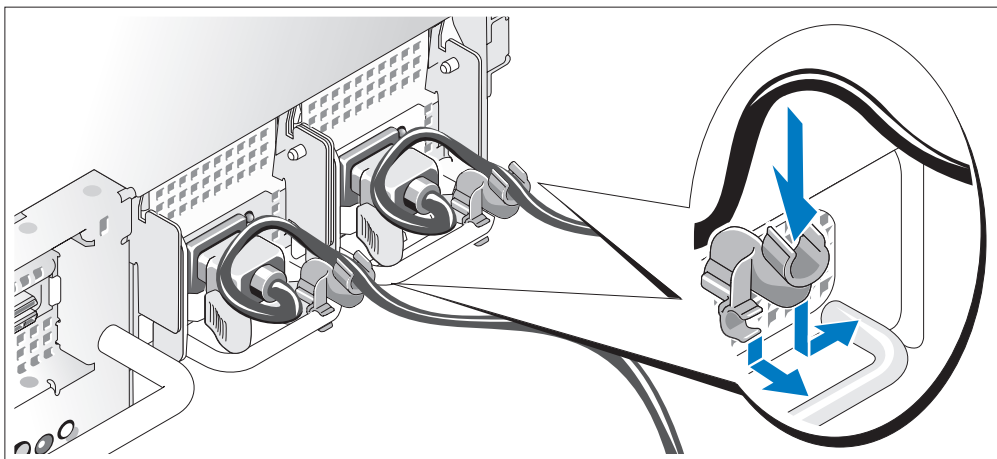
システム背面のコネクタには、どのケーブルを各コネクタに接続するかを示すアイコンがあります。モニターのケーブルコネクタにネジがある場合は、必ず締めてください。

## 電源の接続



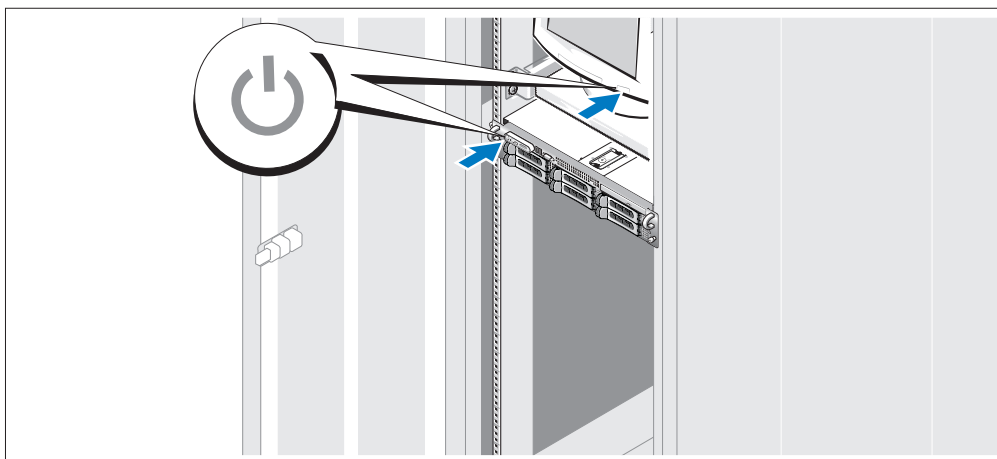
- 4** モニター（オプション）とシステム電源を接続し、システムの電源ケーブルをシステムに接続します。システムにビデオ出力コネクタ付きの拡張カードが装着されている場合は、モニターをシステムの内蔵ビデオコネクタに接続しないでください。モニターケーブルは、拡張カードのコネクタに接続します。
- 5** 電源コードのもう一方の端をアースされた電源コンセントまたは UPS（無停電電源装置）や配電装置（PDU）などの電源に接続します。

## 電源コード固定ブラケットの取り付け



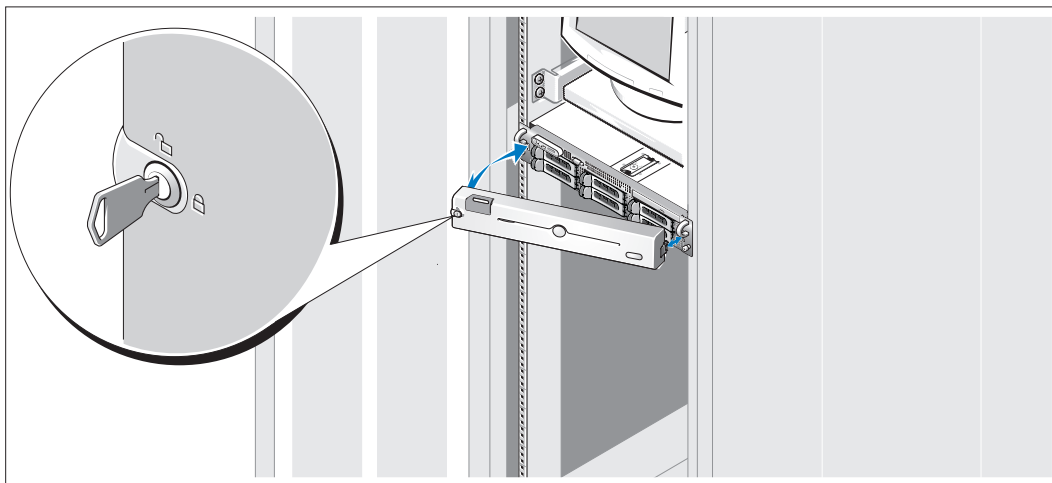
- 6 電源コード固定ブラケットを電源装置ハンドルの右バンドに取り付けます。システムの電源ケーブルをループ状に曲げ（図を参照）、ブラケットのケーブル留め金に取り付けます。2 台目の電源装置についても同じ手順を繰り返します。
- 7 電源コードのもう一方の端をアースされた電源コンセントまたは UPS（無停電電源装置）や配電装置（PDU）などの電源に接続します。

## システムの電源投入



- 8 システムとモニター（オプション）の電源を入れます。  
システムとモニターの電源ボタンを押します。電源インジケータが点灯します。表示されたイメージが最適の状態になるまで、モニターのコントロールを調節します。

## ベゼルの取り付け



### 9 ベゼルの取り付け（オプション）

## オペレーティングシステムのセットアップの完了

システムにオペレーティングシステムがプリインストールされている場合は、システムに同梱のオペレーティングシステムのマニュアルを参照してください。オペレーティングシステムを初めてインストールする場合は、『クイックインストールガイド』を参照してください。システムとは別途に購入したハードウェアやソフトウェアのインストールは、オペレーティングシステムがインストール済みであることを確認してから行ってください。

# 仕様

<b>プロセッサ</b>	
プロセッサの種類	デュアルコア Intel Xeon Processors 5000 Sequence が 1 つまたは 2 つ。
<b>拡張バス</b>	
バスの種類	PCI-X、PCIe
<b>拡張スロット</b>	
センターライザー： PCIe	ハーフハイト x8 レーン 3.3 V (スロット 1)
左ライザー PCI-X オプション：	フルハイト、フルレングスの 3.3 V、64 ビット、133 MHzx2 (スロット 2 および 3)
PCIe オプション：	または フルハイト x8 レーン 3.3 V (スロット 2) x1、 およびフルハイト x4 レーン 3.3 Vx1 (スロット 3)
<b>メモリ</b>	
アーキテクチャ	533 または 667 (利用可能な場合) MHz の完全バッファ型 DIMM (FBD)
メモリモジュールソケット	240 ピン x8
メモリモジュール容量	256 MB、512 MB、1 GB、2 GB、または 4 GB
最小 RAM	512 MB (256 MB モジュール x2)
最大 RAM	32 GB
<b>ドライブ</b>	
ハードドライブ	3.5 インチ、内蔵ホットプラグ対応 SAS または SATA ハードドライブでオプションのメディアベイがないものは 6 台まで または 3.5 インチ、内蔵ホットプラグ対応 SAS または SATA ハードドライブでオプションのメディアベイが付いたものは 4 台まで または 2.5 インチのホットプラグ対応内蔵 SAS ハードドライブは 8 台まで

<b>ドライブ (続き)</b>	
ディスクドライブ	オプションの 3.5 インチ、1.44 MB ドライブ オプションの 3.5 インチ、1.44 MB USB 外付けドライブ
オプティカルドライブ	オプションのスリムライン IDE CD、DVD、 または CD-RW/DVD コンボドライブ <b>メモ：</b> DVD デバイスはデータ専用。 オプションの USB 外付け CD
テープドライブ	オプションのハーフハイト内蔵テープバックアップデバイス
フラッシュドライブ	オプションの USB 外付け
<b>コネクタ</b>	
<b>背面</b>	
NIC	RJ-45 (内蔵 1 GB NIC 用) x2
シリアル	16550 互換 9 ピン DTE
USB	4 ピン USB 2.0 準拠 x2
ビデオ	15 ピン VGA
<b>正面</b>	
ビデオ	15 ピン VGA
USB	4 ピン USB 2.0 準拠 x2
<b>ビデオ</b>	
ビデオタイプ	ATI ES1000 ビデオコントローラ、 VGA コネクタ
ビデオメモリ	16 MB の DDR SDRAM
<b>電源</b>	
<b>AC 電源装置 (各電源装置につき)</b>	
ワット数	750 W
電圧	AC 85 ~ 264 V、自動選択、47 ~ 63 Hz
放熱	最大 2697 BTU/時
最大流入電流	通常のラインコンディションのもと、システムの動作環境全範囲で、電源装置 1 台につき 10 ms 以下で 55 A の入電量を許容できます。
<b>バッテリー</b>	
システムバッテリー	3.0 V コイン型リチウムイオン電池 CR 2032

---

## 電源（続き）

---

RAID バッテリー（オプション）	4.1 V リチウムイオン
-------------------	---------------

---

## サイズと重量

---

### ラック

高さ	8.656 cm
幅	44.7 cm
奥行	75.68 cm
重量（最大構成）	26.76 kg

---

## 環境

---

**メモ：**特定のシステム構成でのその他の環境条件の詳細については、[www.dell.com/environmental\\_datasheets](http://www.dell.com/environmental_datasheets) を参照してください。

### 温度

動作時	1 時間当たり最大 10 °C の温度変化で 10 ~ 35 °C
保管時	1 時間当たり最大 20 °C の温度変化で -40 ~ 65 °C

### 相対湿度

動作時	1 時間当たり最大 10 % の湿度変化で 20 ~ 80 % （結露しないこと）
保管時	1 時間当たり最大 10 % の湿度変化で 5 ~ 95 % （結露しないこと）

### 最大振動

動作時	15 分間に 3 ~ 200 Hz で 0.25 G
保管時	15 分間に 3 ~ 200 Hz で 0.5 G

### 最大衝撃

動作時	z 軸の正方向に 2 ミリ秒以下で 41 G の 1 衝撃パルス（システムの各面に対して 1 パルス）
保管時	x、y、z 軸の正および負方向に 6 連続衝撃パルス（システムの各面に対して 1 パルス）、2 ミリ秒以下で 71 G

### 高度

動作時	-16 ~ 3,048 m
保管時	-16m ~ 10,600 m

# Dell™ PowerEdge™ 2950 시스템

## 시스템 시작하기

## 참고, 알림, 주의



**참고**: 참고는 컴퓨터를 보다 효율적으로 사용하는데 도움이 되는 중요 정보를 제공합니다.



**알림**: 알림은 하드웨어의 손상 또는 데이터 유실 위험을 설명하며, 이러한 문제를 방지할 수 있는 방법을 알려 줍니다.



**주의**: 주의는 재산상의 피해나 심각한 부상 또는 사망을 유발할 수 있는 위험이 있음을 나타냅니다.

---

본 설명서에 수록된 정보는 사전 통보 없이 변경될 수 있습니다.

© 2005 Dell Inc. All rights reserved.

어떠한 경우에도 Dell Inc. 의 사전 승인 없이 무단 복제하는 행위는 엄격하게 금지되어 있습니다.

본 설명서에 사용된 상표인 *Dell* 및 *DELL* 로고는 Dell Inc. 의 상표입니다. *Intel* 및 *Xeon* 은 Intel Corporation 의 등록 상표입니다. *Microsoft* 및 *Windows* 는 Microsoft Corporation 의 등록 상표이고 *Windows Server* 는 Microsoft Corporation 의 상표입니다. *Novell* 및 *NetWare* 는 Novell, Inc. 의 등록 상표입니다. *Red Hat* 은 Red Hat, Inc. 의 등록 상표이고 *SUSE* 는 SUSE LINUX Products GmbH 의 등록 상표입니다.

본 설명서에서 특정 회사의 표시나 제품 이름을 지칭하기 위해 기타 상표나 상호를 사용할 수도 있습니다. Dell Inc. 는 자사가 소유하고 있는 것 이외에 기타 모든 등록 상표 및 상표 이름에 대한 어떠한 소유권도 보유하지 않습니다.

모델 EMS01

2005 년 11 월

P/N DD247

Rev. A00



## 시스템 특징

본 시스템의 주요 하드웨어 및 소프트웨어 특징

- 하나 또는 두 개의 듀얼 코어 Intel® Xeon® 프로세서 5000 Sequence.
- 2 개의 Intel Xeon 프로세서를 장착한 시스템에 사용 가능한 SMP (Symmetric MultiProcessing) 지원. SMP 는 독립된 프로세서 사이에 작업을 분배함으로써 전체 시스템 성능을 크게 향상시킵니다. 이 기능을 사용하려면 멀티프로세싱 방식을 지원하는 운영 체제를 사용해야 합니다.



**참고 :** 보조 프로세서를 설치하여 시스템을 업그레이드하려면 Dell 에서 프로세서 업그레이드 키트를 구입해야 합니다. Intel Xeon 프로세서의 일부 버전만 추가 프로세서로 사용할 수 있습니다. Dell 에서 제공하는 업그레이드 키트에는 올바른 버전의 프로세서, 방열판 및 팬과 업그레이드 지침이 들어 있습니다.

- 시스템 보드의 8 개의 메모리 모듈 소켓에 256MB, 512MB, 1GB, 2GB 또는 4GB 메모리 모듈 조합을 설치하여 최대 32GB 로 업그레이드할 수 있는 최소 512MB 의 533MHz 또는 667MHz (이용 가능한 경우) 풀리 버퍼드 DIMM (FBD).

또한 시스템은 메모리 배분 (sparing) 또는 메모리 미러링 (mirroring) 을 제공하는 중복 메모리를 사용합니다. 각 기능은 8 개의 동일한 메모리 모듈이 설치된 경우에 이용할 수 있습니다.


- 최대 6 개의 3.5 인치 내장 핫플러그형 SAS (Serial Attached SCSI) 또는 SATA 하드 드라이브 (선택 사양인 매체 베이 미장착), 또는 최대 4 개의 3.5 인치 내장 핫플러그형 SAS 또는 SATA 하드 드라이브 (선택 사양인 매체 베이 장착), 혹은 8 개의 2.5 인치 내장 핫플러그형 SAS 하드 드라이브.
- 선택 사양인 매체 베이 (3.5인치 4배폭 및 2.5인치 8배폭 후면판 구성에서 사용 가능)는 선택 사양인 1/2 높이 테이프 백업 장치 (TBU) 와 선택 사양인 단일 1.44MB, 3.5 인치 디스켓 드라이브를 지원합니다.
- 선택 사양인 슬림형 IDE CD, DVD 또는 CD-RW/DVD 콤보 드라이브 1 개.



**참고 :** DVD 장치는 데이터 전용입니다.

- 컴퓨터 덮개가 열리면 시스템 관리 소프트웨어에 신호를 보내는 새시 침입 스위치.
- 1 + 1 중복 구성 (선택 사양) 으로 최대 2 개의 핫플러그형 750W 전원 공급 장치.
- 핫플러그형 시스템 냉각팬 4 개.

다음은 시스템 보드에 내장되어 있는 특징입니다.


- 다음 왼쪽 라이저 카드 옵션 중 하나:
  - 전체 길이 PCIe 8배폭 레인 슬롯 1개와 전체 길이 PCIe 4배폭 레인 슬롯을 가진 왼쪽 라이저 카드.  
또는
  - 개별 PCI-X 버스에 전체 길이 PCI-X 3.3V, 64 비트, 133MHz 슬롯 2 개를 가진 왼쪽 라이저 카드 ( 레거시 PCI 추가 카드 지원을 위한 스로틀링 백 기능).
- 1/2 길이 PCIe 8 배폭 레인 슬롯 1 개를 가진 중앙 라이저 카드 .
- 내장형 SAS 호스트 버스 어댑터 또는 선택 사양인 RAID 컨트롤러 카드(256MB 캐쉬 메모리와 RAID 전지 포함) 용 전용 슬롯. 최대 8 개의 2.5 인치 SAS 또는 6 개의 3.5 인치 SATA 하드 드라이브를 지원하는 내부 채널.
  -  **참고:** 시스템 부팅은 SAS 5/E, PERC 5/E, PERC 4e/DC 를 포함하여 SAS 또는 SCSI 어댑터에 연결된 외부 장치에서는 지원되지 않습니다. 최신 지원 정보와 외부 장치를 사용한 부팅에 대한 내용은 [support.dell.com](http://support.dell.com) 을 참조하십시오 .
- 10Mbps, 100Mbps, 1000Mbps 데이터 전송률을 지원하는 내장형 Gigabit Ethernet NIC 2 개 .
- 디스켓 드라이브, CD-ROM 드라이브, 키보드, 마우스 또는 USB 플래쉬 드라이브를 지원하는 USB 2.0 호환 커넥터 4 개 ( 전면에 2 개 , 후면에 2 개 ).
- 원격 시스템 관리를 위한 RAC (Remote Access Controller) 옵션 .
- ATI ES1000, 33MHz PCI 비디오 컨트롤러가 장착된 내장형 VGA 호환 비디오 서브시스템. 이 비디오 서브시스템에는 16MB 의 DDR SDRAM 비디오 메모리가 포함되어 있습니다 ( 업그레이드 불가능 ). 최대 해상도는 1600 x 1200 (64,000 색 ) 이며 다음 해상도에서 트루 컬러 그래픽이 지원됩니다 : 640 x 480, 800 x 600, 1024 x 768, 1152 x 864 및 1280 x 1024. 선택 사양인 RAC 를 설치한 경우 비디오 해상도는 1280 x 1024 가 됩니다 .
- 시스템 팬 , 임계 시스템 전압 및 온도 등의 작동을 모니터링하는 시스템 관리 회로. 시스템 관리 회로는 시스템 관리 소프트웨어와 연계하여 작동합니다 .
- 직렬 액세스를 사용하는 표준 베이스보드 관리 컨트롤러 .
- 후면 패널 커넥터에는 직렬 커넥터 1 개, 비디오 커넥터 1 개, USB 커넥터 2 개 및 NIC 커넥터 2 개가 포함됩니다 .
- 전면 패널 커넥터에는 비디오 커넥터 1 개 및 USB 커넥터 2 개가 포함됩니다 .
- 시스템 ID 및 오류 메시지가 표시되는 전면 패널 1x5 LCD.
- 전면 및 후면 패널의 시스템 ID 단추 .

특정 기능에 관한 자세한 내용은 46 페이지의 " 기술 사양 " 을 참조하십시오 .

## 지원되는 운영 체제

- Microsoft® Windows Server™ 2003 Standard, Enterprise 및 Web Edition
- Microsoft Windows Server 2003 Standard 및 Enterprise x64 Edition
- Intel x86 용 Red Hat® Enterprise Linux AS 및 ES ( 버전 3 및 4)
- Intel EM64T (Intel Extended Memory 64 Technology) 용 Red Hat Enterprise Linux AS 및 ES ( 버전 4)
- Intel EM64T 용 SUSE® Linux Enterprise Server 9
- Novell® NetWare® 6.5 ( 사용 가능한 경우 ; 공장 출하시 설치 제공 안됨 )

## 기타 필요한 정보

 **주의 :** 제품 정보 안내는 중요한 안전 지침 및 규제 관련 정보를 제공합니다 . 보증 정보는 본 설명서에 포함되어 있거나 별도의 문서로 제공됩니다 .


- 랙 솔루션과 함께 제공되는 *랙 설치 안내 지침* 또는 *랙 설치 설명서*에는 시스템을 랙에 설치하는 방법이 기술되어 있습니다 .
- *하드웨어 소유자 설명서*에서는 시스템 기능에 대한 정보를 제공하고 시스템 문제 해결 방법 및 시스템 구성요소 설치 또는 교체 방법을 설명합니다 . 이 설명서는 시스템과 함께 제공되는 CD 에 수록되어 있거나 [support.dell.com](http://support.dell.com) 에서 다운로드할 수 있습니다 .
- 시스템과 함께 제공되는 CD 에는 시스템 구성과 관리를 위한 문서와 도구가 포함되어 있습니다 .
- 발행 정보나 readme 파일에는 시스템에 대한 최신 업데이트 사항이나 전문가 또는 기술자를 위한 고급 기술 참조 자료가 포함되어 있을 수 있습니다 .

## 기술 지원 얻기

본 설명서의 절차가 이해되지 않거나 시스템이 제대로 작동하지 않을 경우에는 *하드웨어 소유자 설명서*를 참조하십시오 .

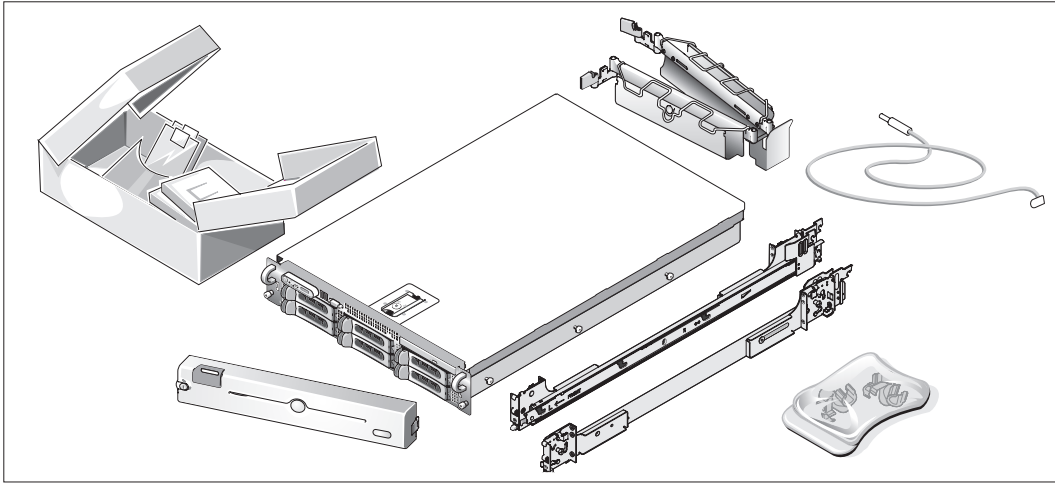
이제 Dell™ Enterprise Training and Certification 을 이용할 수 있습니다 . 자세한 사항은 [www.dell.com/training](http://www.dell.com/training) 을 방문하십시오 . 지역에 따라 이 서비스가 제공되지 않을 수도 있습니다 .

## 설치 및 구성

 **주의 :** 아래에 설명된 절차를 수행하기 전에 제품 정보 안내의 안전 지침 및 중요한 규제 관련 정보를 읽고 준수하십시오 .

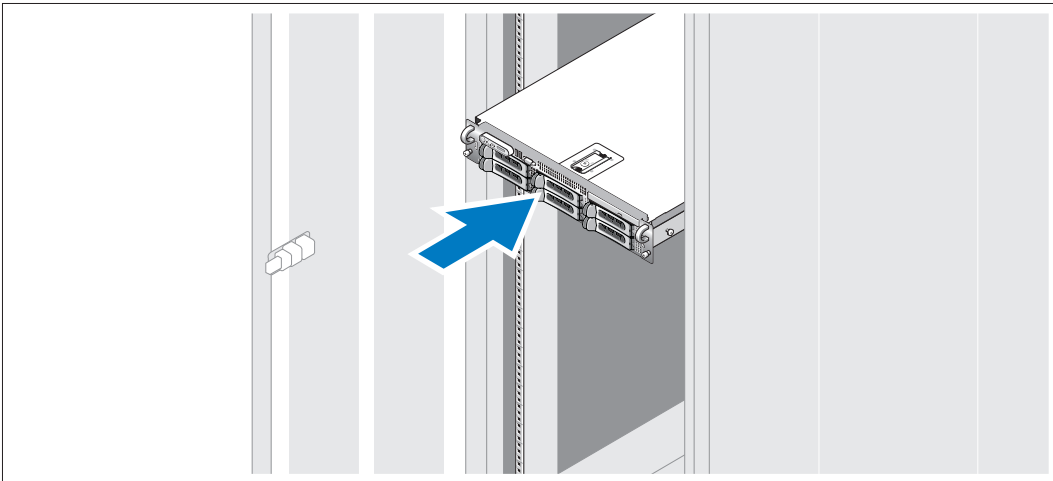
이 절에서는 처음 시스템을 설정하는 절차를 설명합니다 .

## 시스템 포장 풀기



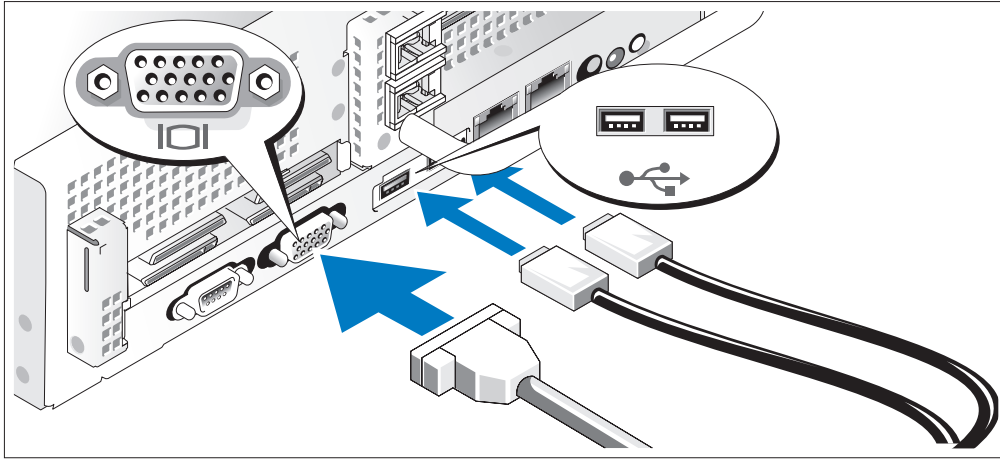
- 1 시스템 포장을 제거하고 각 항목을 확인합니다.  
모든 운송 포장재는 나중에 필요할 수 있으므로 보관하십시오.

## 랙에 레일과 시스템 설치



- 2 시스템의 랙 설치 안내서에 나와 있는 "안전 지침" 을 읽은 후에 레일과 시스템을 랙에 설치합니다.  
랙에 시스템을 설치하는 자세한 지침은 랙 설치 안내서를 참조하십시오.

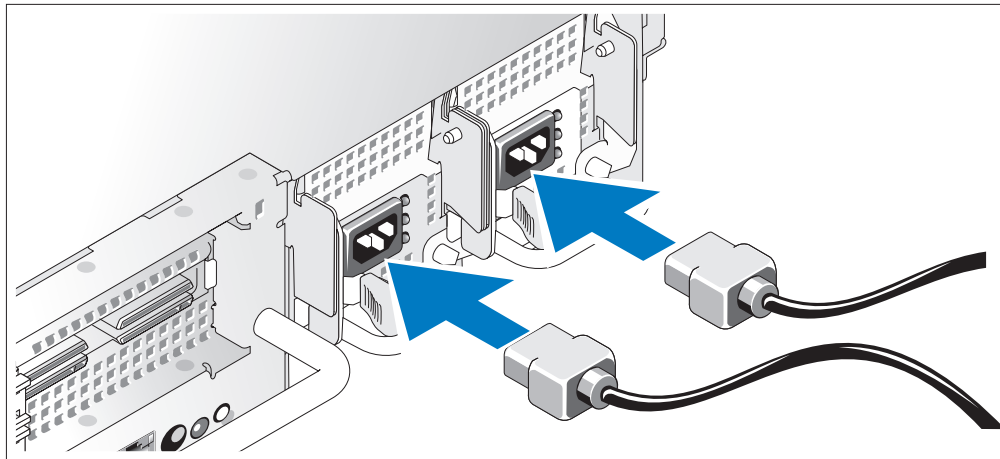
### 키보드, 마우스 및 모니터 연결



- 3 키보드, 마우스 및 모니터 (선택 사양) 를 연결합니다.

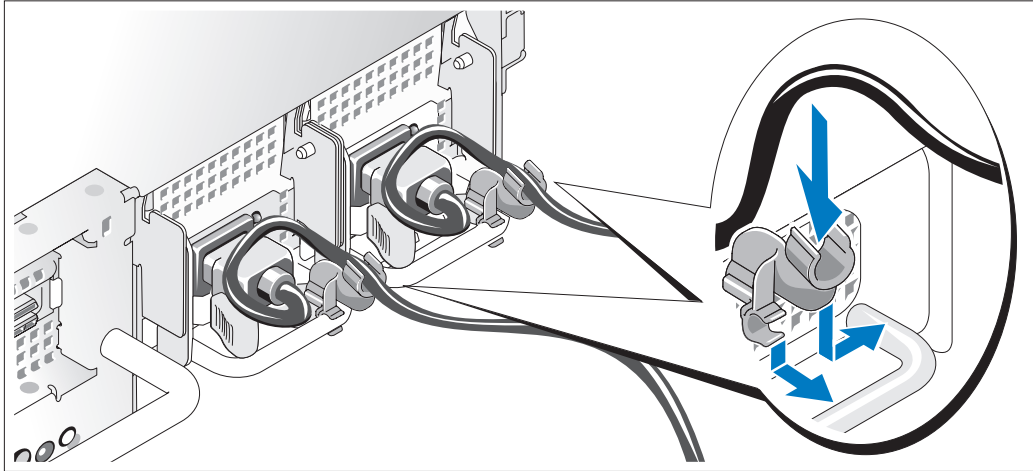
시스템 후면에 있는 커넥터에는 각 커넥터에 연결될 케이블이 표시된 아이콘이 있습니다. 모니터의 케이블 커넥터에 있는 나사 (해당하는 경우) 를 단단히 고정하십시오.

### 전원 연결



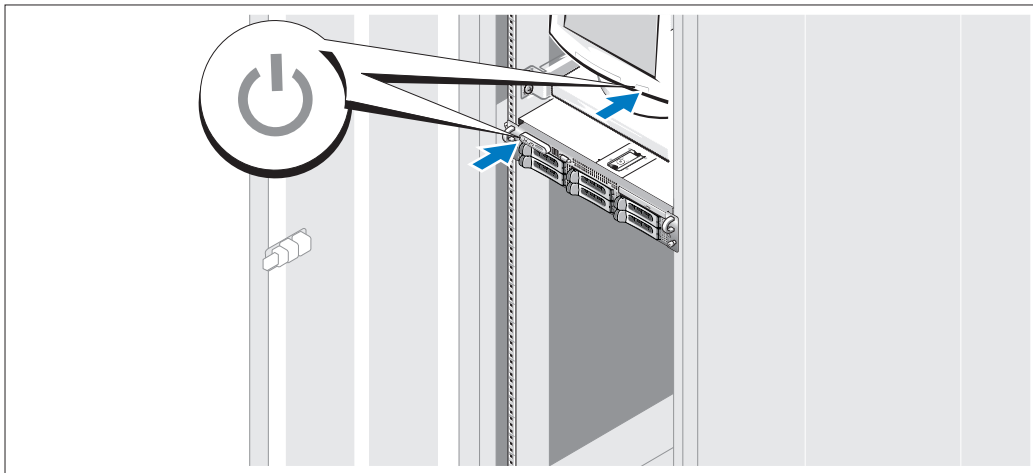
- 4 모니터 (선택 사양) 와 시스템 전원을 연결하고 시스템의 전원 케이블을 시스템에 연결합니다. 시스템에 비디오 출력 커넥터가 포함된 확장 카드가 있는 경우 모니터를 시스템의 내장 비디오 커넥터에 연결하지 *마십시오*. 대신 모니터 케이블을 확장 카드의 커넥터에 연결하십시오.
- 5 케이블의 반대쪽 끝을 접지된 전원이나 UPS (Uninterruptible Power Supply) 또는 PDU (Power Distribution Unit) 와 같은 별도의 전원에 연결합니다.

## 전원 코드 고정 브래킷 연결



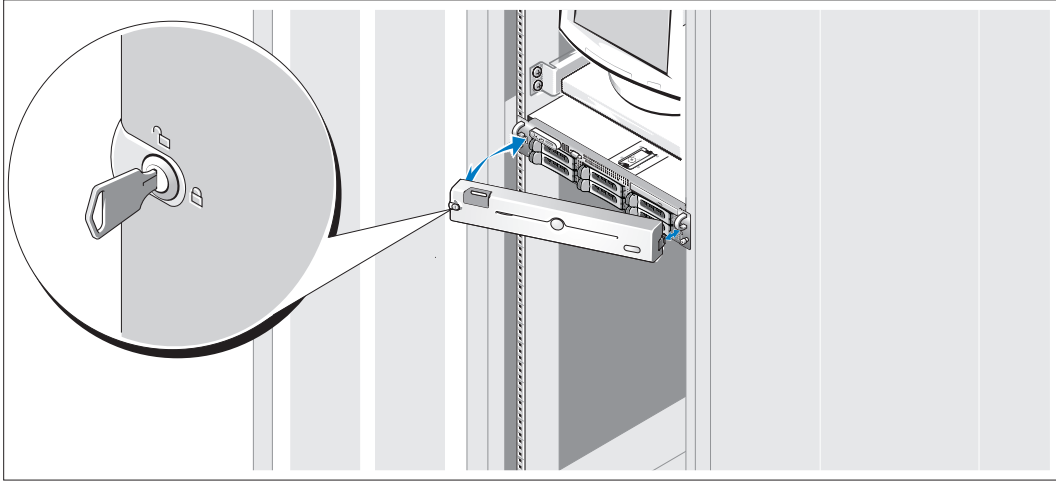
- 6 전원 공급 장치 핸들의 오른쪽 벤드에 있는 전원 코드 고정 브래킷을 연결합니다. 그림과 같이 시스템 전원 케이블을 고리 안으로 구부려서 브래킷의 케이블 걸쇠에 연결합니다. 두 번째 전원 공급 장치에 대해서도 이 과정을 반복합니다.
- 7 케이블의 반대쪽 끝을 접지된 전원이나 UPS (Uninterruptible Power Supply) 또는 PDU (Power Distribution Unit) 와 같은 별도의 전원에 연결합니다.

## 시스템 켜기



- 8 시스템과 모니터 (선택 사양) 의 전원을 켭니다.  
시스템 및 모니터의 전원 단추를 누릅니다. 그러면 전원 표시등이 켜집니다. 화면 상태가 만족스러울 때까지 모니터의 컨트롤을 조정합니다.

## 베젤 설치



9 베젤 (선택 사양) 을 설치합니다.

## 운영 체제 설치 수행

시스템 구입시 운영 체제가 미리 설치되어 있는 경우에는 시스템과 함께 제공되는 운영 체제 설명서를 참조하십시오. 운영 체제를 처음으로 설치하려면 **빠른 설치 안내서**를 참조하십시오. 시스템과 함께 구입하지 않은 하드웨어 또는 소프트웨어를 설치하기 전에 운영 체제가 설치되어 있는지 확인하십시오.

# 기술 사양

프로세서	
프로세서 유형	하나 또는 두 개의 듀얼 코어 Intel Xeon 프로세서 5000 Sequence
확장 버스	
버스 유형	PCI-X, PCIe
확장 슬롯	
중앙 라이저 : PCIe	1/2 높이 8 배폭 레인 3.3V 1 개 ( 슬롯 1)
왼쪽 라이저 PCI-X 옵션 :	전체 높이 , 전체 길이 3.3V, 64 비트 , 133MHz 2 개 ( 슬롯 2 및 슬롯 3)
PCIe 옵션 :	또는 전체 높이 8 배폭 레인 3.3V 1 개 ( 슬롯 2) 및 전체 높이 4 배폭 레인 3.3V 1 개 ( 슬롯 3)
메모리	
아키텍처	533MHz 또는 667MHz( 이용 가능한 경우 ) 풀리 버퍼드 DIMM (FBD)
메모리 모듈 소켓	240 핀 8 개
메모리 모듈 용량	256MB, 512MB, 1GB, 2GB 또는 4GB
최소 RAM	512MB (256MB 모듈 2 개 )
최대 RAM	32GB
드라이브	
하드 드라이브	최대 6 개의 3.5 인치 내장 핫플러그형 SAS 또는 SATA 하드 드라이브 ( 선택 사양인 매체 베이 미장착 ) 또는 최대 4 개의 3.5 인치 내장 핫플러그형 SAS 또는 SATA 하드 드라이브 ( 선택 사양인 매체 베이 장착 ) 또는 8 개의 2.5 인치 내장 핫플러그형 SAS 하드 드라이브



---

## 드라이브 / 계속 /

---

디스켓 드라이브	3.5 인치 , 1.44MB 드라이브 ( 선택 사양 ) 1 개 외장형 USB 3.5 인치 , 1.44MB 드라이브 ( 선택 사양 )
광학 드라이브	선택 사양인 슬림형 IDE CD, DVD 또는 CD-RW/DVD 콤보 1 개 <b>참고 :</b> DVD 장치는 데이터 전용입니다 . 외장형 USB CD( 선택 사양 )
테이프 드라이브	내장형 1/2 높이 테이프 백업 장치 1 개
플래쉬 드라이브	외장형 USB( 선택 사양 )

---

## 커넥터

---

### 후면

NIC	RJ-45( 내장형 1GB NIC 용 ) 2 개
직렬	9 핀 , DTE, 16550 호환
USB	4 핀 2 개 , USB 2.0 호환
비디오	15 핀 VGA

### 전면

비디오	15 핀 VGA
USB	4 핀 2 개 , USB 2.0 호환

---

## 비디오

---

비디오 유형	ATI ES1000 비디오 컨트롤러 ; VGA 커넥터
비디오 메모리	16MB DDR SDRAM

---

## 전원

---

### AC 전원 공급 장치 ( 전원 공급 장치마다 )

와트	750W
전압	85-264VAC, 자동 범위 조정 , 47-63Hz
열 손실	최대 2697BTU/hr
최대 유입 전류	일반적인 라인 상태나 전체 시스템의 작동 범위 에서는 최대 유입 전류가 10ms 이하 동안 전원 공급 장치당 55A 에 달할 수 있습니다 .

### 전지

시스템 전지	CR 2032 3.0V 리튬 이온 코인 셀
RAID 전지 ( 선택 사양 )	4.1V 리튬 이온

---

## 규격

---

### 택

높이	8.656cm (3.40 인치)
너비	44.7cm (17.6 인치)
깊이	75.68cm (29.79 인치)
무게 ( 최대 구성시 )	26.76kg (59lb)

---

### 환경

---

**참고 :** 특정 시스템 구성을 위한 환경 측정에 대한 추가 정보는 [www.dell.com/environmental\\_datasheets](http://www.dell.com/environmental_datasheets) 를 참조하십시오 .

### 온도

작동	10° ~ 35°C (50° ~ 95°F), 시간당 10°C 의 최대 온도 변화시
보관	-40° ~ 65°C (-40° ~ 149°F), 시간당 20°C 의 최대 온도 변화시

### 상대 습도

작동	20% ~ 80% ( 비응축 ), 시간당 10% 의 최고 습도 변화시
보관	5% ~ 95% ( 비응축 ), 시간당 10% 의 최고 습도 변화시

### 최대 진동

작동	3 ~ 200Hz 에서 15 분 동안 0.25G
보관	3 ~ 200Hz 에서 15 분 동안 0.5G

### 최대 충격

작동	최대 2ms 동안 (+) z 축으로 41G 의 충격 펄스 ( 시스템 각 면에 1 회의 펄스 ) 1 회
보관	최대 2ms 동안 (+/-) x, y, z 축으로 71G 의 연속 충격 펄스 ( 시스템 각 면에 1 회의 펄스 ) 6 회

### 고도

작동	-16 ~ 3,048m (-50 ~ 10,000ft)
보관	-16 ~ 10,600m (-50 ~ 35,000ft)